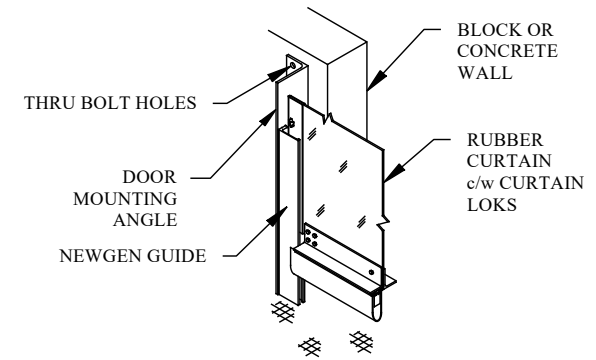


NEWGEN GUIDE AND CURTAIN LOK SYSTEM STEEL JAMB MOUNTING



NEWGEN GUIDE AND CURTAIN LOK SYSTEM CONCRETE WALL MOUNTING **

**CLEARANCE DIMENSION IS 8" FOR CONCRETE MOUNT CONFIGURATION
 ***OPTIONAL HOODS REQUIRE 7" & 16" SIDEROOM, 22" HEADROOM AND 23" OPERATOR PROTRUSION
 ****EXTERNAL TRANSFORMER REQUIRED WHEN INCOMING POWER IS NOT 460-480V 3PH, (13"x12"x6"). PORTRAYED TRANSFORMER LOCATION FOR SIZE REFERENCE ONLY. MUST BE INSTALLED IN ACCORDANCE WITH LOCAL ELECTRICAL AUTHORITY

TNR INDUSTRIAL DOORS INC.

SHOP DRAWING, MODEL HDFX, LEFT HAND

MECHANICAL OPTIONS	ELECTRICAL OPTIONS	STANDARD SYSTEM INCLUDES
<input type="checkbox"/> - GUIDE MOUNTED WINDBAR	<input type="checkbox"/> - LOOP DETECTOR	- SPEEDS UP TO 60 IPS OPEN, 30 IPS CLOSE
<input type="checkbox"/> - JAMB MOUNTED WINDBAR	<input type="checkbox"/> - WIRELESS RECEIVER	- BLACK SBR CURTAIN - 3/32" THICK
<input type="checkbox"/> - GUIDE GUARDS	<input type="checkbox"/> - WIRELESS TRANSMITTER, QTY. _____	= CONTROL PANEL (N4X) & OPERATOR (N3)
<input type="checkbox"/> - EXTERIOR HOODS	<input type="checkbox"/> - N 4X, PUSHBUTTON ST'N, QTY. _____	- PROGRAMMABLE CONTROLLER
<input type="checkbox"/> - GREY PVC CURTAIN - 2.5mm THICK	<input type="checkbox"/> - MOTION DETECTOR, QTY. _____	- FREQUENCY INVERTER
<input type="checkbox"/> - BLUE PVC CURTAIN - 2.5mm THICK	<input type="checkbox"/> - ADD. THRU-BEAM PHOTOEYE, QTY. _____	- INTEGRATED TIMER TO CLOSE (ADJUSTABLE)
<input type="checkbox"/> - TAN PVC CURTAIN - 2.5mm THICK	<input type="checkbox"/> - ADD. REFLECTIVE PHOTOEYE, QTY. _____	- THRU-BEAM PHOTOEYE
<input type="checkbox"/> - 16" x 16" WINDOWS, QTY. _____	<input type="checkbox"/> = ****EXTERNAL TRANSFORMER	- WIRELESS AIR WAVE REVERSING EDGE
<input type="checkbox"/>	<input type="checkbox"/>	- 5" HIGH, BLACK EPDM RUBBER LOOP
<input type="checkbox"/>	<input type="checkbox"/>	- KNOCK-AWAY STYLE BOTTOM BAR
<input type="checkbox"/>	<input type="checkbox"/>	- NEWGEN GUIDE AND CURTAIN LOK SYSTEM
<input type="checkbox"/>	<input type="checkbox"/>	= PLUG AND PLAY CABLING

EXT. DETAIL: HIGH SPEED EXTERIOR LIGHT DOOR	
LIMITATIONS: MAX. OPENING WIDTH 18' 0", MAX. OPENING HEIGHT 18' 0"	
DATE DR'N: JAN. 18, 2015	REVISION: J - SEPT 27, 2019
DRAWN BY: R.B.	DRAWING No.: D-600-0122
ELECTRICAL CRITERIA:	
CONTROL PANEL NEMA/EEMAC 4X STD. OR _____	
PRIMARY POWER SUPPLY: _____ Volts, 3 Phase, 60 Hertz	
OPERATOR CRITERIA: DIRECT DRIVE	
LIMIT BOX NEMA/EEMAC 3 STD. OR _____	
_____ HP, DOOR SPEED: OPEN UP TO @ _____ ips, CLOSE UP TO @ _____ ips	
END USER:	
DEALER:	
DOOR SIZE:	SERIAL No.: TNR-