

## Common Jamb Construction for Rolling Fire Doors For Maximum 1 1/2 Hour Rating

Note: Thickness and number of layers of gypsum board determined by wall rating

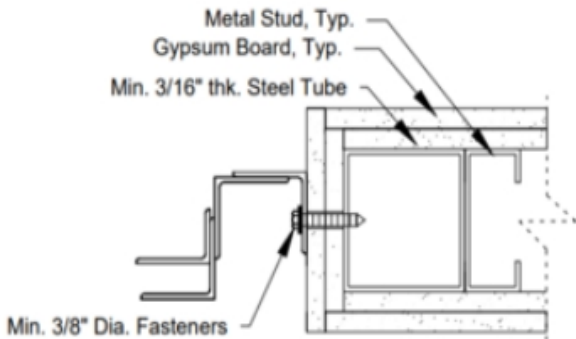


Figure 1

## Common Jamb Construction for Rolling Fire Doors For Maximum 1 1/2 Hour Rating

Note: Thickness and number of layers of gypsum board determined by wall rating

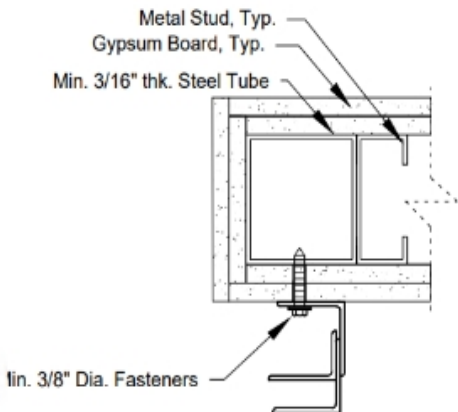


Figure 2