

## HD-Swing® LE

Series 4000LE Heavy Duty Low Energy



### For High Traffic or Extra Large Barrier-Free Doors

Compliant with ANSI A156.19, A117.1 and Americans With Disabilities Act of 1990

Standard system features & benefits:

- Heavy duty gear drive and 1/8 HP motor designed for high wind conditions, stack pressure and high volume pedestrian traffic. Appropriate for heavy or oversized doors.
- Choice of mounting type: Surface mount or overhead concealed
- Choice of header: 6" x 6" side access or 4 1/2" x 6" bottom access
- Available for butt hung, center pivoted or off set pivot door assemblies
- Installs easily with no structural changes required



Specify Horton and demand AAADM certified installation



Handicap Accessible



Push Plate or Push Button Activation

#### Additional Features/Benefits

- Push-N-Go® automatic activation by pushing or pulling door panel
- SoftTouch® reversing and obstruction sensing
- Easily adjustable opening & closing speeds
- Manual operation in case of power failure
- Available in a variety of anodized, paint or clad finishes

#### Did You Know?



Low energy operators move the door slowly at a rate considered intrinsically safe.

# Low Energy Swing Door Operators



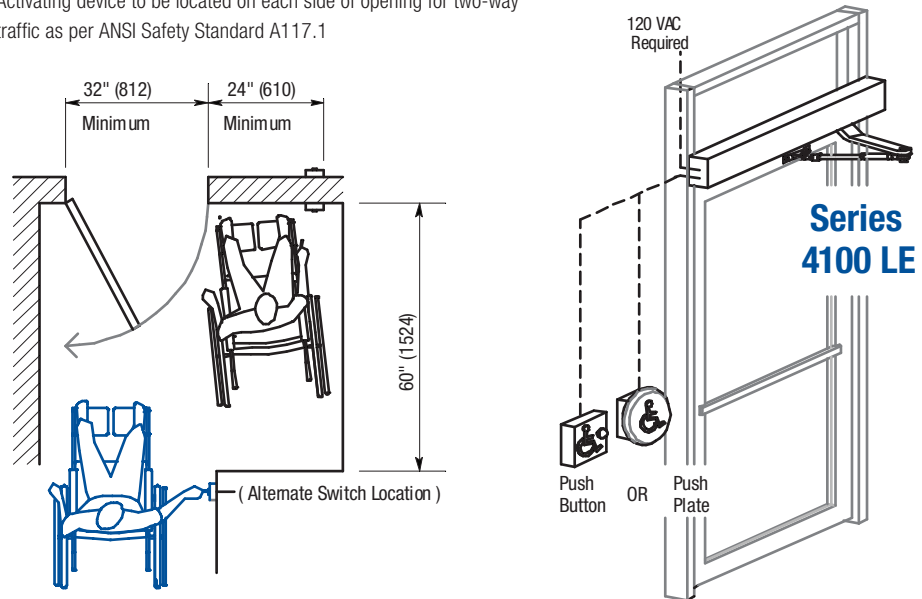
## HD-Swing® LE

### Series 4000LE Heavy Duty Low Energy

Once the activating switch is pressed, the Series 4000 LE operator slowly opens the door and holds it open for an adjustable, delayed length of time. This creates a barrier-free doorway and gives the pedestrian time to pass through the door before it slowly closes using spring force of less than 15 pounds (67 N.)

#### Installation and Operation

Activating device to be located on each side of opening for two-way traffic as per ANSI Safety Standard A117.1



#### Electrical Requirements:

120, 220 VAC, 50 - 60 Hz, single phase, 15 amp service. Current draw - 3.15 amps.

#### Adjustments:

- Opening speed: 3 to 6 sec. to 80° (Open check)
- Closing speed: 3 to 6 sec. from 90° to 10° (Close Check)
- Time delay: 2 to 30 sec. (ANSI A156.19 requires 5 sec. minimum time delay).

#### Selection Guide

##### Standard Single Units

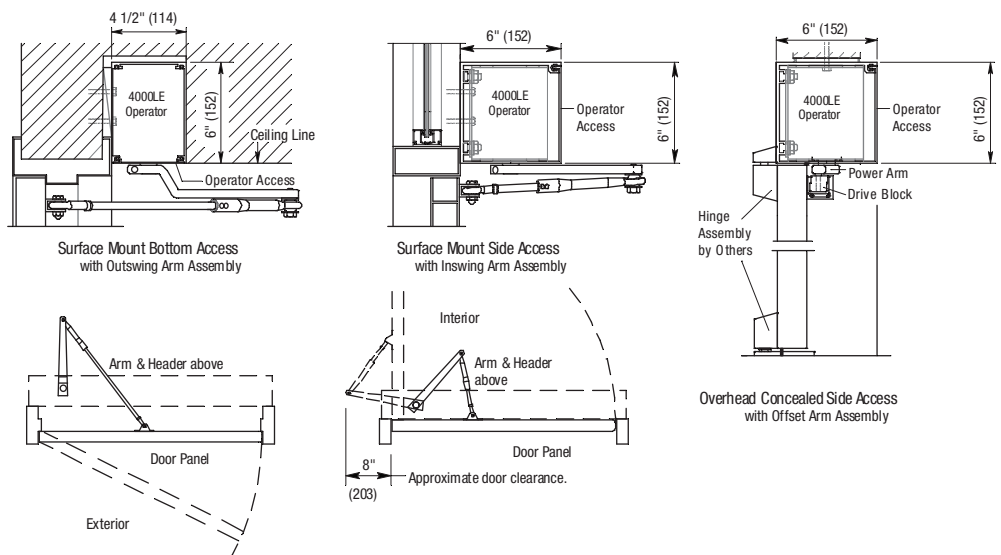
Door Width	Header Width
3'-0" (914)	3'-3" (991)
3'-6" (1067)	3'-9" (1143)

##### Standard Pair Units

Pair Width	Header Width
5'-0" (1524)	5'-3" (1600)
6'-0" (1829)	6'-3" (1905)
7'-0" (2133)	7'-3" (2210)

**Maximum Door Width:**  
4'-6" (1524)

#### Architectural Details



**Horton Automatics**  
World Headquarters  
4242 Baldwin Boulevard  
Corpus Christi, Texas 78405-3399 USA  
Phone: 800-531-3111, 361-888-5591  
Fax: 361-888-6510  
[www.hortondoors.com](http://www.hortondoors.com)

**Horton Automatics, Ltd.**  
United Kingdom  
Unit A, Hortonwood 31  
Telford, Shropshire, England TF1-7YZ  
Phone: 01952 670169  
Fax: 01952 670181

Specify **HORTON**



A Division of  
**Overhead Door Corporation**  
A Sanwa Shutter Company