

#### Profler® Series 2000 Linear Drive

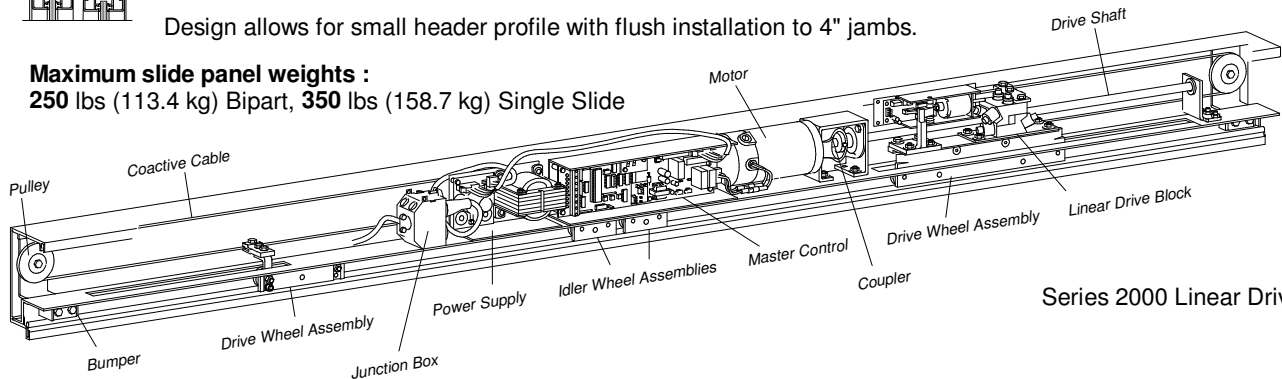
Slide operation accomplished through 1/8 HP motor working with a threadless stainless steel 1/2" diameter linear drive shaft. A linear travel block describes a helical path along the rotating shaft.

#### Profler® Series 2000B Elite Belt Drive

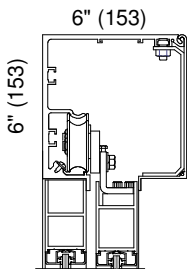
Slide operation accomplished through 1/8 HP motor working with worm gear transmission and 1800 RPM with 1/2" steel reinforced nylon drive belt, attached door hangers and idler pulley.

Design allows for small header profile with flush installation to 4" jambs.

**Maximum slide panel weights :**  
250 lbs (113.4 kg) Bipart, 350 lbs (158.7 kg) Single Slide



Series 2000 Linear Drive shown

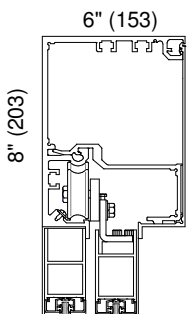
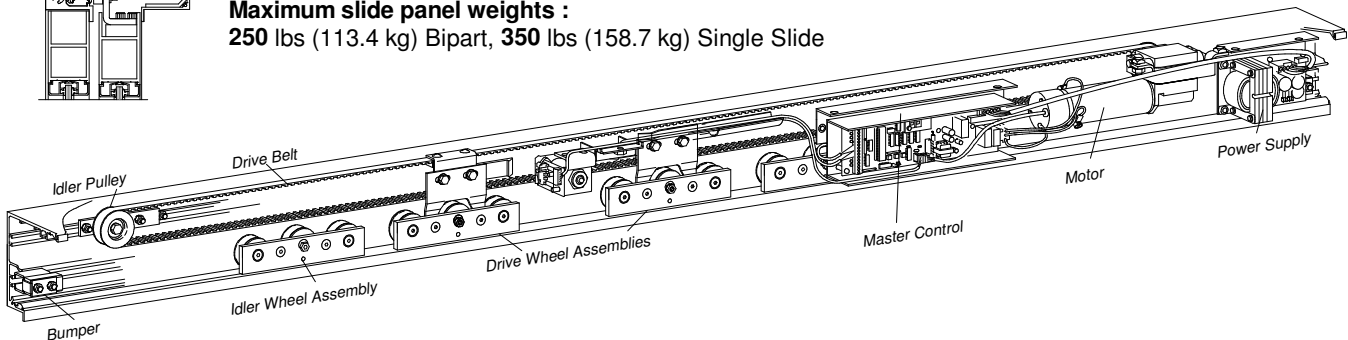


#### ProSlide® Series 2003 Belt Drive

Slide operation accomplished through 1/8 HP motor working with worm gear transmission and 1800 RPM with 1/2" steel reinforced nylon drive belt, attached door hangers and idler pulley.

**Telescoping Series 2003T** included in available door configurations.

**Maximum slide panel weights :**  
250 lbs (113.4 kg) Bipart, 350 lbs (158.7 kg) Single Slide



#### HD-Slide® Series 2001 Belt Drive

Slide operation accomplished through 1/8 HP motor (optional 1/4 HP) working with heavy duty worm gear transmission and 1800 RPM with 1" steel reinforced nylon drive belt, attached 1/4" thick steel door hangers and idler pulley.

**Elegant® Series 2500 All-Glass unit** included in available door configurations.

**Maximum slide panel weights :**  
300 lbs (136 kg) Bipart, 500 lbs (227 kg) Single Slide

